
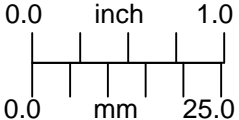
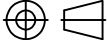


OUTLINE

UNLESS OTHERWISE SPECIFIED DIMENSIONS ARE IN INCHES [MM] AND INCLUDE CHEMICALLY APPLIED OR PLATED FINISHES		PROPRIETARY AND CONFIDENTIAL				
SCALE: 1:1		THE INFORMATION CONTAINED IN THIS DRAWING IS THE SOLE PROPERTY OF NAVITAR. ANY REPRODUCTION IN PART OR AS A WHOLE WITHOUT THE WRITTEN PERMISSION OF NAVITAR IS PROHIBITED.				
WEIGHT: 0.03 lbmass				M25-0.75 OBJECTIVE COUPLER		
DR BY: DJM						
CH BY: PB						
PROJECT #:		DO NOT SCALE DRAWING		SIZE	2-51370	REV
DATE DR: 10/29/2003				A		SHEET 2 OF 2