
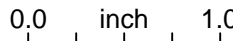
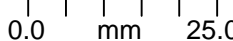




OUTLINE

UNLESS OTHERWISE SPECIFIED DIMENSIONS ARE IN INCHES AND INCLUDE CHEMICALLY APPLIED OR PLATED FINISHES		THE CONTENTS OF THIS DOCUMENT ARE PROPRIETARY TO NAVITAR. ITS USE IS AUTHORIZED ONLY FOR RESPONDING TO REQUEST FOR QUOTATION OR PERFORMANCE OF WORK FOR NAVITAR		 ROCHESTER, NEW YORK	
SCALE:	2:1	0.0 inch 1.0  0.0 mm 25.0 		COAX, 8mm INPUT, w/ FROSTED LENS	
WEIGHT:	0.076LBM			SIZE	2-50157
DR:	R. PODLENA	DO NOT SCALE DRAWING		SHEET 2 OF 2	
CH:		 			
PROJECT #:					
DATE DR:	4/04/2002				