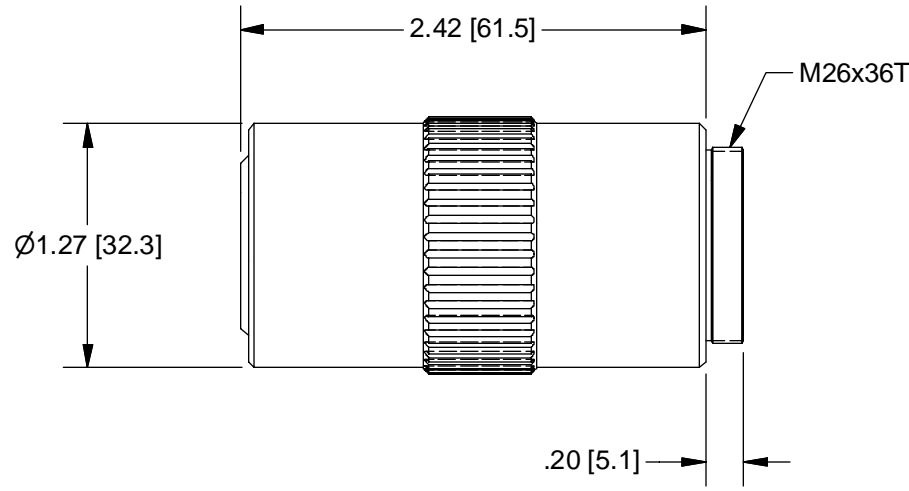


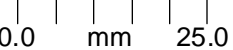


NA = 0.28  
 WD = 33.5mm



# OUTLINE

UNLESS OTHERWISE SPECIFIED DIMENSIONS ARE IN INCHES AND INCLUDE CHEMICALLY APPLIED OR PLATED FINISHES	THE CONTENTS OF THIS DOCUMENT ARE PROPRIETARY TO NAVITAR, ITS USE IS AUTHORIZED ONLY FOR RESPONDING TO REQUEST FOR QUOTATION OR PERFORMANCE OF WORK FOR NAVITAR			
SCALE: 1:1	0.0 inch 1.0  0.0 mm 25.0 			OBJECTIVE, 10X, M-PLAN, APO
WEIGHT: 200 grams		<table border="1"> <tr> <td data-bbox="1396 1461 1486 1575">           SIZE A         </td> <td data-bbox="1486 1461 1957 1575">           1-60227 SHEET 2 OF 2         </td> <td data-bbox="1957 1461 2047 1575">           REV A         </td> </tr> </table>	SIZE A	
SIZE A	1-60227 SHEET 2 OF 2		REV A	
DR: R. PODLENA				
CH:				
PROJECT #:				
DATE DR: 5/16/2002	DO NOT SCALE DRAWING 