
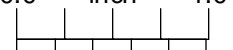
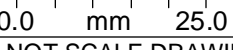
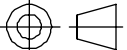


# OUTLINE

UNLESS OTHERWISE SPECIFIED DIMENSIONS ARE IN INCHES AND INCLUDE CHEMICALLY APPLIED OR PLATED FINISHES		THE CONTENTS OF THIS DOCUMENT ARE PROPRIETARY TO NAVITAR, ITS USE IS AUTHORIZED ONLY FOR RESPONDING TO REQUEST FOR QUOTATION OR PERFORMANCE OF WORK FOR NAVITAR		 ROCHESTER, NEW YORK	
SCALE:	1:1	0.0    inch    1.0 		<b>ADAPTER, CAMERA, T-SLR</b>	
WEIGHT:	.06#				
DR:	BE	0.0    mm    25.0 		SIZE <b>A</b>	
CH:	R. PODLENA				
PROJECT #:	E2183	DO NOT SCALE DRAWING 		<b>1-17483</b>	
DATE DR:	7/27/2006			SHEET 1 OF 1	