

VZ16100M

【SPECIFICATIONS】

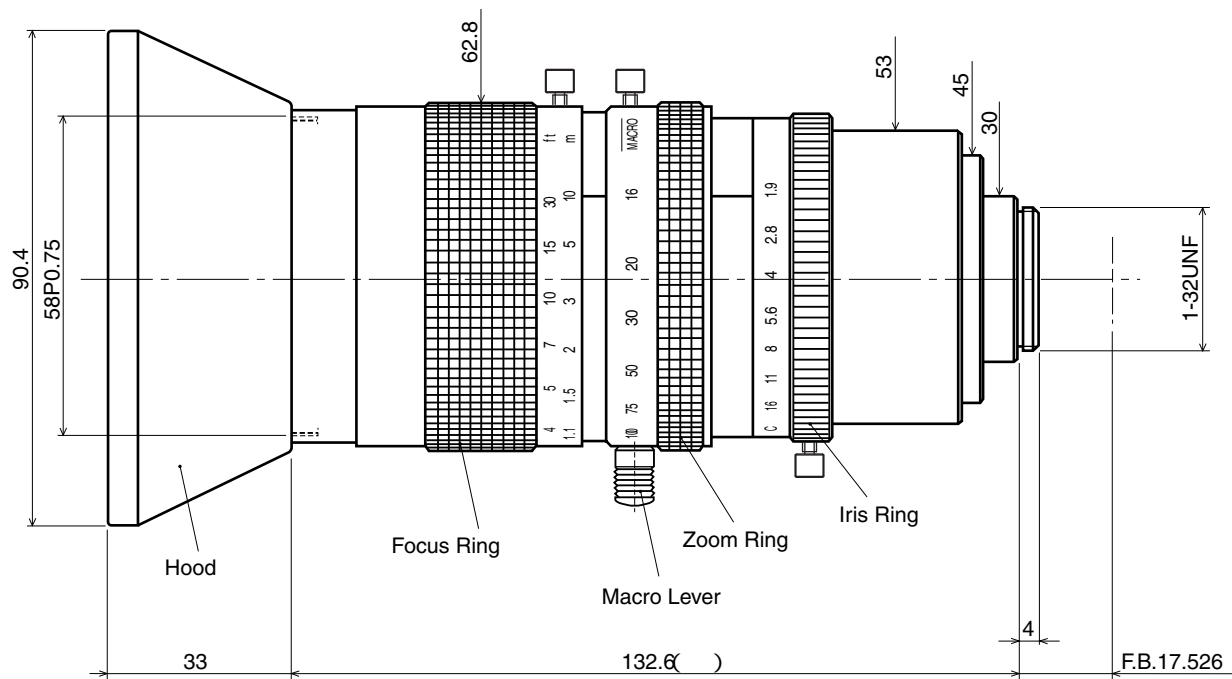
Image Size : $\textcircled{1}$ $\textcircled{2/3}$ $\textcircled{1/2}$ $\textcircled{1/3}$ $\textcircled{1/4}$

Focal Length :	16 ~ 100mm	Optical Back Focal Distance :	18.14mm(In Air)
Maximum Relative Aperture :	1:1.9	Flange Back :	17.526mm
Iris :	F1.9 ~ Close	Operation :	Focus : Manual Zoom : Manual Iris : Manual
Zoom Ratio :	6X	Operating Temperature :	-10 ~ +50
Angle of View :	43.6 × 33.4 deg. at 16mm 7.3 × 5.5 deg. at 100mm	Mount :	C-Mount
Image Size :	12.8 × 9.6mm (16mm)	Filter Size :	58mm P0.75
Minimum Object Distance :	1.1m (From Front Vertex) Close-up photography as far as Object Distance 5cm is possible by Wide Macro function. (Close-up photography is available only at Wide end.)	Size :	62.8 × 132.6mm 90.4 × 165.6mm(Attached Hood)
		Weight :	Approx. 620g Approx. 660g(Attached Hood)

【COMPOSITION】

- Lens 1
- Lens Cap 1
- Dust Cap 1

【DIMENSIONS】



Unit:mm