

# VHF6M-MP SWIR

Image Size : (1)

## SPECIFICATIONS

Focal Length :	6mm	Optical Back Focal Distance :	11.5mm (In Air )
Maximum Relative Aperture :	1:1.8	Frang Back :	17.526mm
Iris :	F1.8 ~ 22	Operation : Focus :	Manual
Angle of View :	H95.1 ° × V78.7 ° (D104.6 ° )	Iris :	Manual
Image Size :	12.8 × 9.6mm ( 16mm )	Operating Temperature :	-10 ~ +50
Minimum Object Distance :	0.1m (From Front Vertex )	Mount :	C-Mount
Optical Distortion :	-7.5 % (at near )	Filter Size :	-
	-7.1 % (at far )	Size :	54 × 50.3 mm
TV Distortion :	2.4 % (at near )	Weight :	Approx.185g
	-0.7 % (at far )		

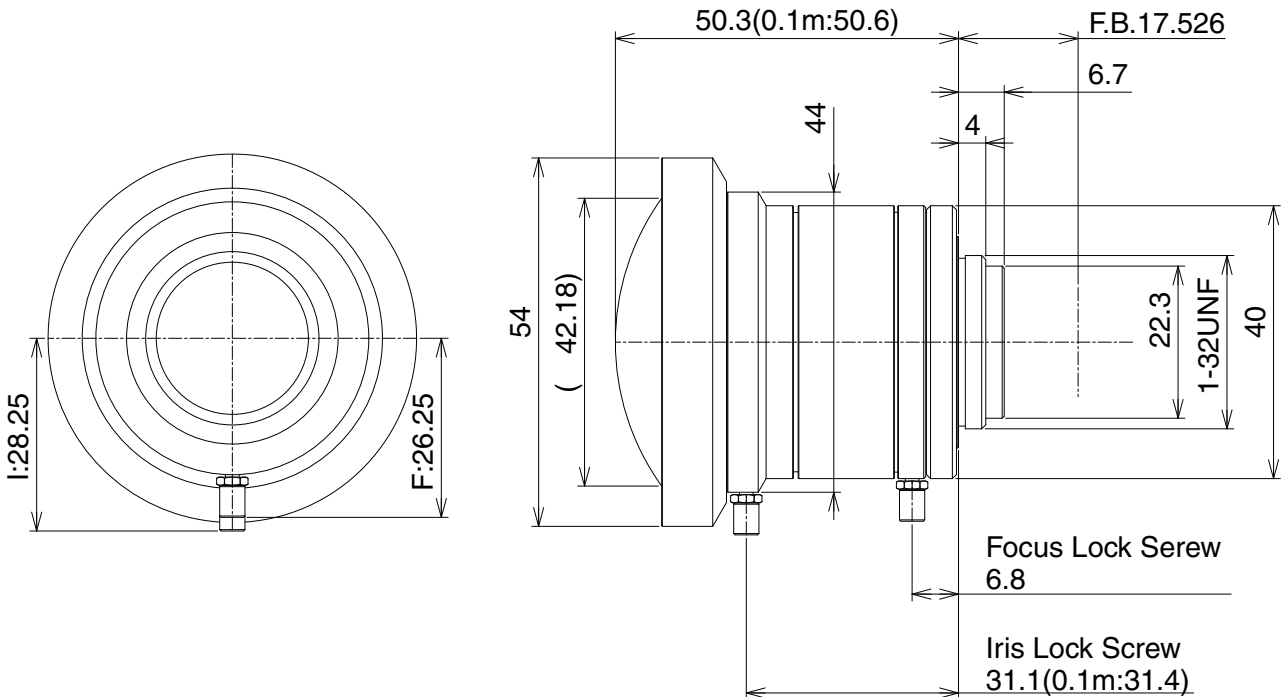
## COMPOSITION

- Lens .....1
- Lens Cap .....1
- Dust Cap .....1

Wave( μ m)	Frang Back(mm)
0.9	17.566
1.1	17.600
1.3	17.640
1.5	17.687
1.7	17.740

MOD change along with change of Flange Back

## DIMENSIONS



Unit:mm