

VHF25M-MP SWIR

Image Size : (1.1)

SPECIFICATIONS

Focal Length :	25mm	Optical Back Focal Distance :	16.6mm (In Air)
Maximum Relative Aperture :	1:1.4	Flange Back :	17.526mm
Iris :	F1.4 ~ 22	Operation : Focus :	Manual
Angle of View :	H31.9 ° × V24.1 ° (D39.6 °)	Iris :	Manual
Image Size :	14.1 × 10.6mm (17.6mm)	Operating Temperature :	-10 ~ +50
Minimum Object Distance :	0.3m (From Front Vertex)	Mount :	C-Mount
Optical Distortion :	-2.7 % (at near)	Filter Size :	35.5mm P0.5
	-2.1 % (at far)	Size :	40 × 42.5 mm
TV Distortion :	-0.8 % (at near)	Weight :	Approx.119g
	-0.6 % (at far)		

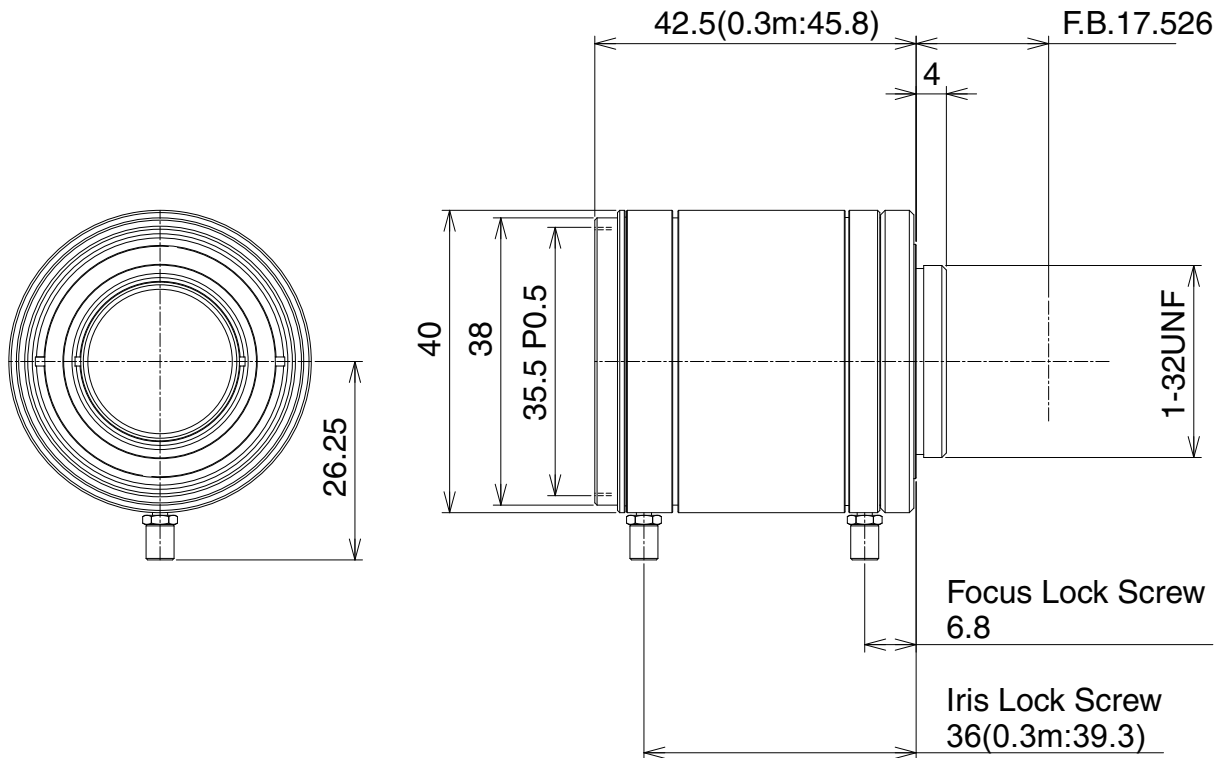
COMPOSITION

- Lens1
- Lens Cap1
- Dust Cap1

Wave(μ m)	Frang Back(mm)
0.9	17.652
1.1	17.741
1.3	17.840
1.5	17.951
1.7	18.078

MOD changes along with change of Flange Back

DIMENSIONS



Unit:mm