

VHF16M-MP SWIR

Image Size : 1.1

【SPECIFICATIONS】

Focal Length :	16mm	Optical Back Focal Distance :	16.4mm (In Air)
Maximum Relative Aperture :	1:1.4	Frang Back :	17.526mm
Iris :	F1.4 ~ 22	Operation : Focus :	Manual
Angle of View :	H48.6 ° × V37.1 ° (D59.4 °)	Iris :	Manual
Image Size :	14.1 × 10.6mm (17.6mm)	Operating Temperature :	-10 ~ +50
Minimum Object Distance :	0.3m (From Front Vertex)	Maunt :	C-Mount
Optical Distortion :	-3.8 % (at near)	Filter Size :	35.5mm P0.5
	-3.4 % (at far)	Size :	40 × 42 mm
TV Distortion :	-1.0 % (at near)	Weight :	Approx.120g
	-0.9 % (at far)		

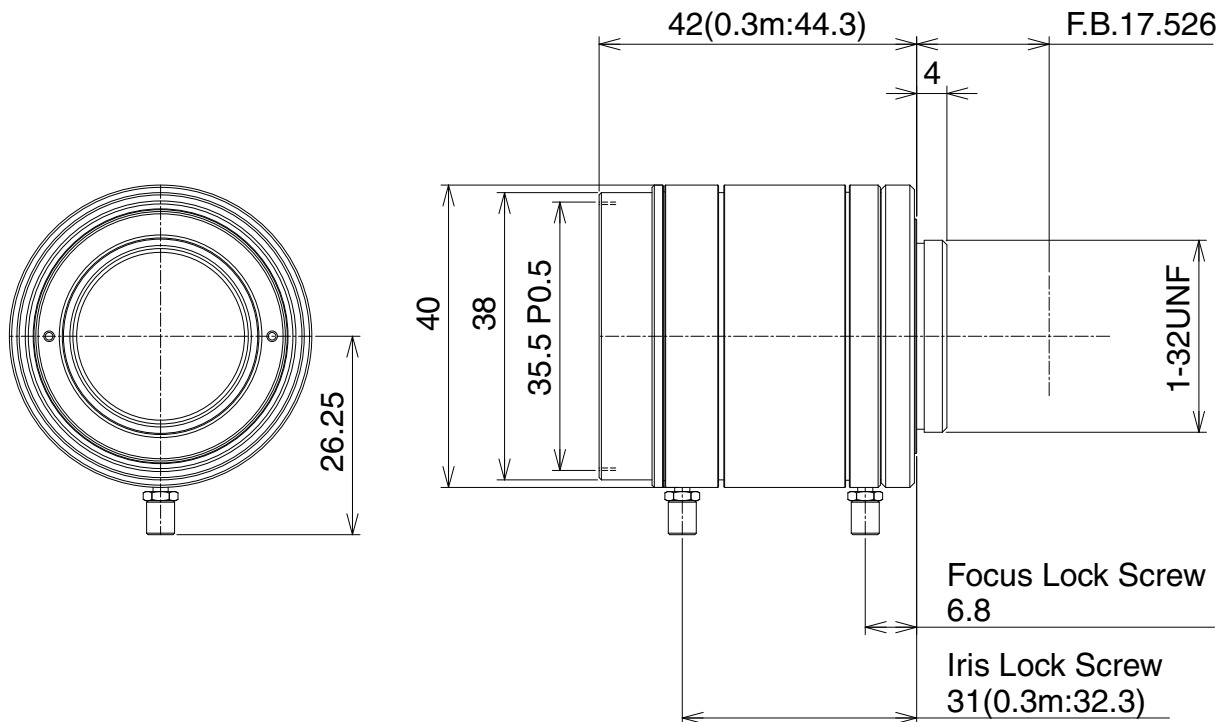
【COMPOSITION】

- Lens1
- Lens Cap1
- Dust Cap1

Wave(μ m)	Frang Back(mm)
0.9	17.669
1.1	17.753
1.3	17.839
1.5	17.933
1.7	18.039

MOD changes along with change of Frang Back

【DIMENSIONS】



Unit:mm