

VHF12.5M-MP SWIR

Image Size : ①

【SPECIFICATIONS】

Focal Length :	12.5mm	Optical Back Focal Distance :	13.5mm (In Air)
Maximum Relative Aperture :	1:1.4	Frang Back :	17.526mm
Iris :	F1.4 ~ 22	Operation : Focus :	Manual
Angle of View :	H55.7 ° × V42.7 ° (D67.8 °)	Iris :	Manual
Image Size :	12.8 × 9.6mm (16mm)	Operating Temperature :	-10 ~ +50
Minimum Object Distance :	0.3m (From Frint Vertex)	Mount :	C-Mount
Optical Distortion :	-5.4 % (at near)	Filter Size :	35.5mm P0.5
	-5.3 % (at far)	Size :	40 × 51.5 mm
TV Distortion :	-1.5 % (at near)	Weight :	Approx.155g
	-1.4 % (at far)		

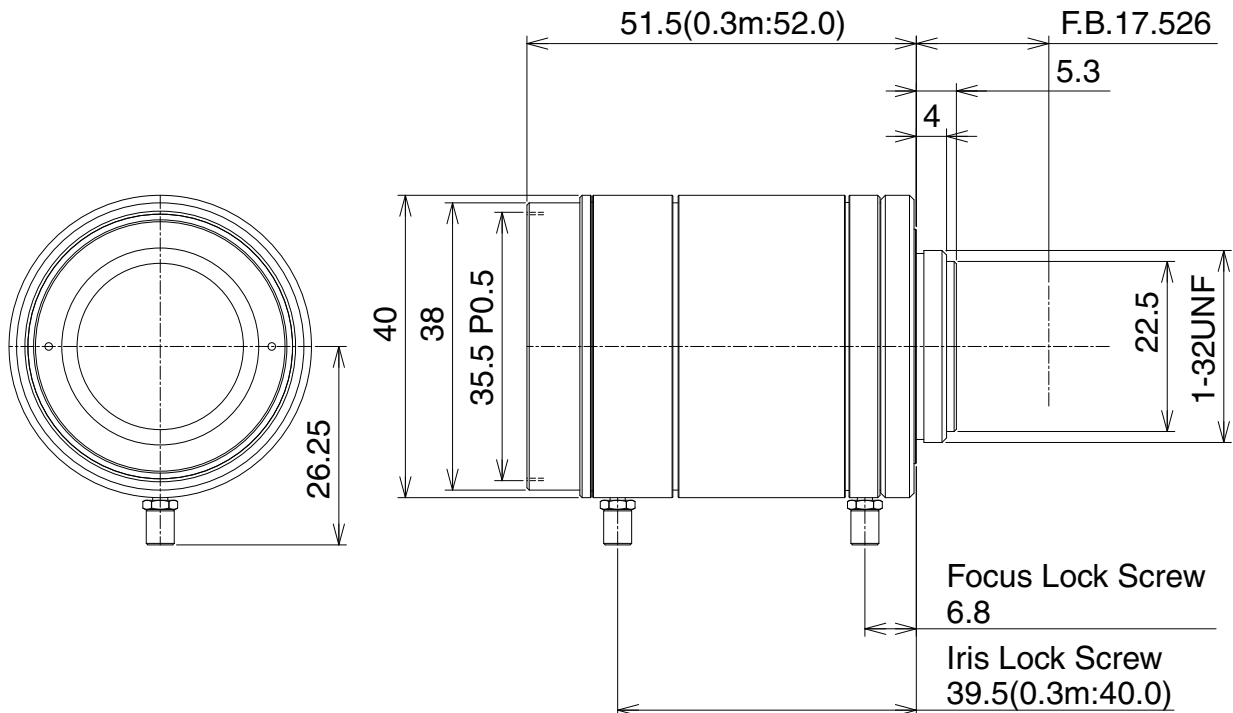
【COMPOSITION】

- Lens1
- Lens Cap1
- Dust Cap1

Wave(μ m)	Frang Back(mm)
0.9	17.635
1.1	17.711
1.3	17.794
1.5	17.888
1.7	17.995

MOD changes along with change of Frang Back

【DIMENSIONS】



Unit:mm