

TV1634DC

[SPECIFICATIONS]

IMAGE SIZE: $\frac{1}{3}$ $\frac{1}{4}$

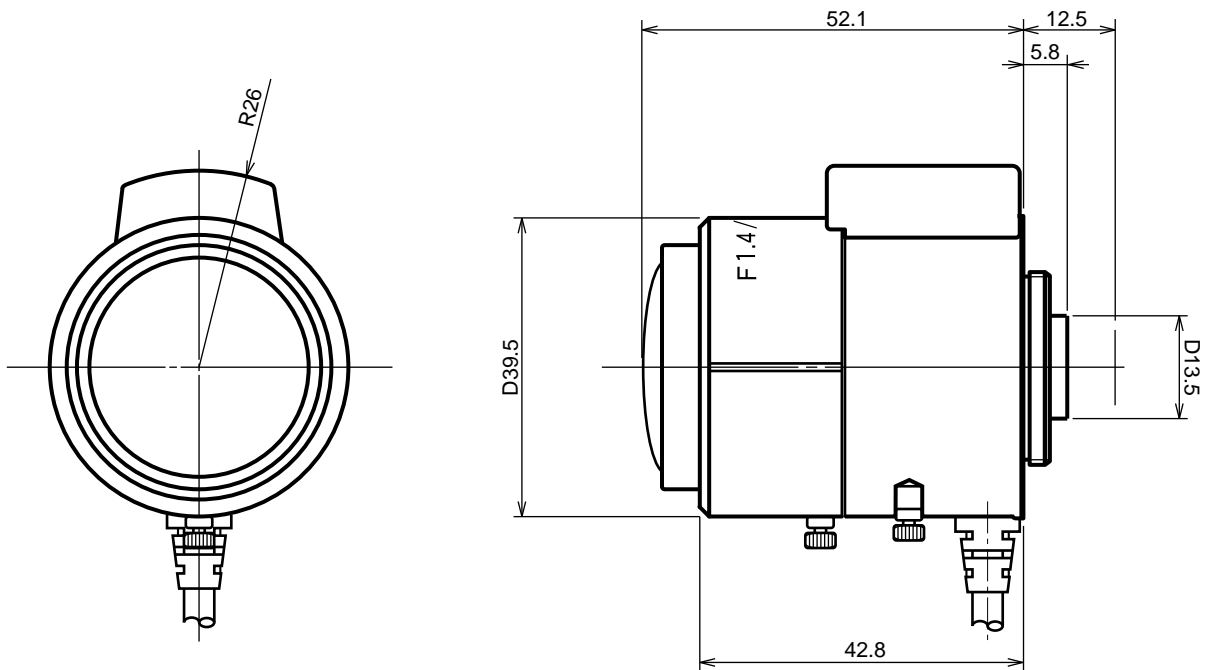
FOCAL LENGTH : 1.6 - 3.4mm
 MAXIMUM RELATIVE APERTURE : 1:1.4
 IRIS : F1.4 - 360
 WITH ND SPOT FILTER
 ANGULAR FIELD OF VIEW : AT 1.6mm 180.0X114.1 deg.
 AT 3.4mm 84.3X 55.8 deg.
 IMAGE FORMAT : 4.8X3.6mm (D6mm)
 MINIMUM OBJECT DISTANCE : 0.2m (FROM FRONT VERTEX)
 BACK FOCUS : 7.06 - 11.54mm (In Air)
 FLANGE BACK : 12.5mm

OPERATION VOLTAGE : Close TO Open : LESS THAN 4V
 Open TO Close : MORE THAN 0V
 OPERATION : FOCUS : MANUAL
 ZOOM : MANUAL
 IRIS : IG
 OPERATION TEMPERATURE : -10 to +45 C
 MOUNT : CS-MOUNT (ADJUSTABLE LENS POSITION)
 WEIGHT : 105g

[COMPOSITION]

- LENS1
- LENS CAP1
- DUST CAP1

[DIMENSIONS]



Unit:mm

[CIRCUIT DIAGRAM]

