

JZ1169M mold

【SPECIFICATIONS】

Image Size : $\frac{2}{3}$ $\frac{1}{2}$ $\frac{1}{3}$ $\frac{1}{4}$

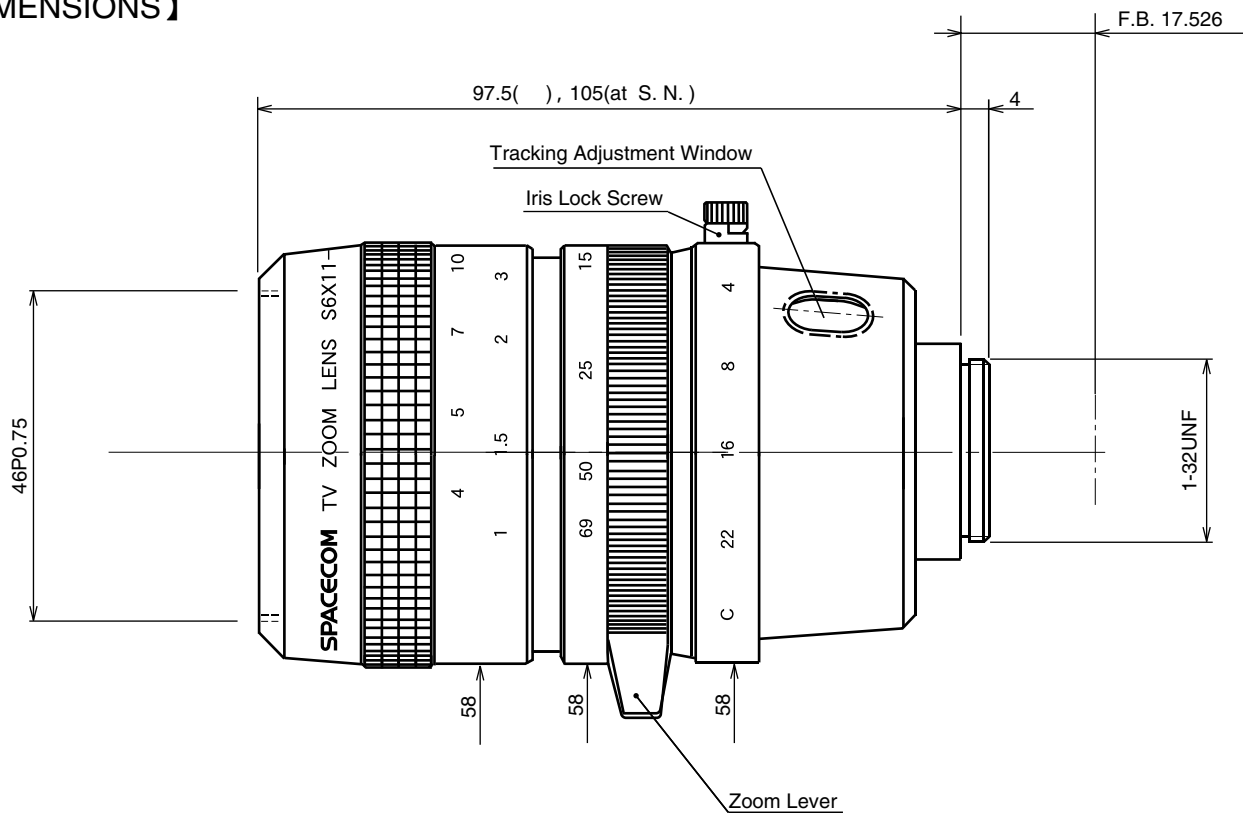
Focal Length : 11.5 ~ 69mm
 Maximum Relative Aperture : 1:1.4
 Iris : F1.4 ~ Close
 Zoom Ratio : 6X
 Angle of View : 41.9 × 32.0 deg. at 11.5mm
 7.3 × 5.5 deg. at 69mm
 Image Size : 8.8 × 6.6mm (11mm)
 Minimum Object Distance : 1.0m (From Front Vertex)
 Close-up photography as far as
 Object Distance 0.3m is possible by
 S.N.(Service Near)function of Focus.
 (Partial eclipse may occur during
 zooming in the S.N. range with using
 2/3" camera.)

Optical Back Focal Distance : 17.93mm(In Air)
 Flange Back : 17.526mm
 Operation : Focus : Manual
 Zoom : Manual
 Iris : Manual
 Operating Temperature : -10 ~ +50
 Mount : C-Mount
 Filter Size : 46mm P0.75
 Size : 58 × 97.5mm
 Weight : Approx 395 g

【COMPOSITION】

- Lens 1
- Lens Cap 1
- Dust Cap 1

【DIMENSIONS】



Unit:mm