

JZ1169AI

【SPECIFICATIONS】

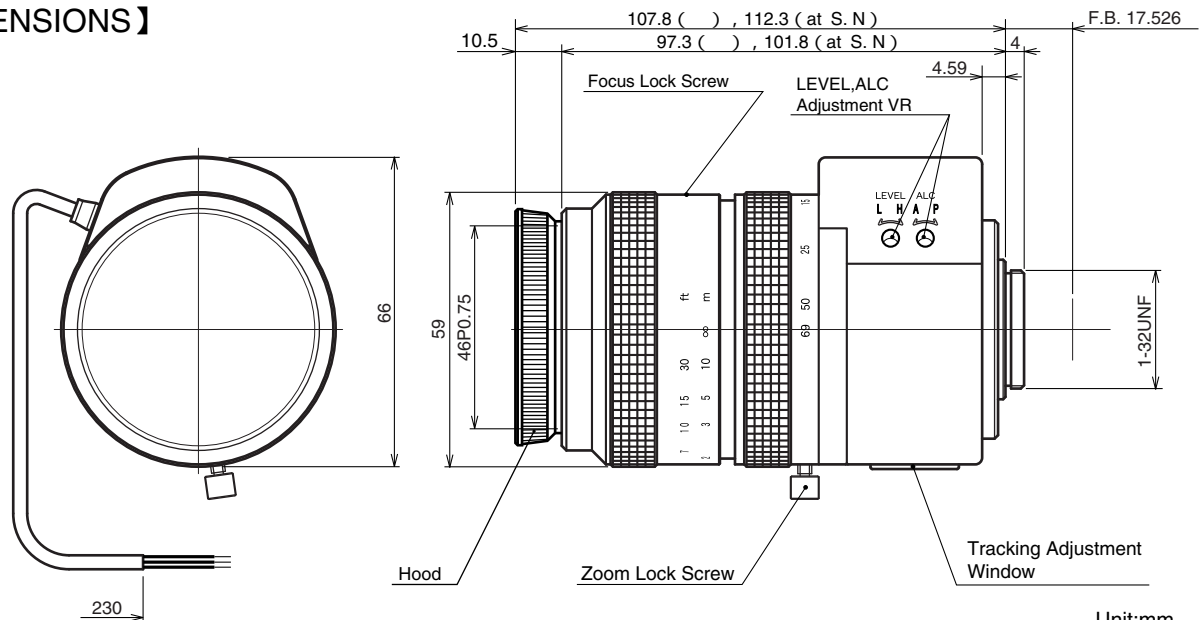
Image Size : $\frac{2}{3}$ $\frac{1}{2}$ $\frac{1}{3}$ $\frac{1}{4}$

Focal Length :	11.5 ~ 69mm	Photometry Range :	Approx.40 ~ 70% Variable to Vp-p
Maximum Relative Aperture :	1:1.4	Input Impedance :	High Impedance
Iris :	F1.4 ~ Approx .360 (With ND Spot Filter)	Operation :	Zoom : Manual Focus : Manual Iris : EE(DC+6.5 to 16V : Max40mA)
Zoom Ratio :	6X	EE Mechanism :	The built-in EE Amp amplifies the difference between the video signal from the camera and the preset Iris signal level. It causes the Iris to change size.
Angle of View :	41.9 × 32.0 deg. at 11.5mm 7.3 × 5.5 deg. at 69mm	EE Accuracy :	With Input Video Signal 0.7Vp-p Within ± 10% of Mean Value
Image Size :	8.8 × 6.6mm (11mm)	Operating Temperature :	-10 ~ +50
Minimum Object Distance :	1.0m (From Front Vertex) Close-up photography as far as Object Distance 0.5m is possible by S.N.(Service Near)function of Focus. (Partial eclipse may occur during zooming in the S.N. range with using 1/2" camera.)	Mount :	C-Mount (Adjustable Lens Position)
Optical Back Focal Distance :	17.93mm (In Air)	Filter Size :	46mm P0.75
Flange Back :	17.526mm	Size :	66 × 59 × 97.3mm,
Input Signal :	Composite Video Signal, Video Signal	Weight :	Approx 400 g
Sensitivity Adjustment :	0.3 ~ 1.0Vp-p(Image Signal)		

【COMPOSITION】

- Lens 1
- Lens Cap 1
- Dust Cap 1

【DIMENSIONS】



【CIRCUIT DIAGRAM】

