

HZ848DC

【SPECIFICATIONS】 F1.0 6X High Speed Manual Zoom Lens

Image Size : $\frac{1}{2}$ $\frac{1}{3}$ $\frac{1}{4}$

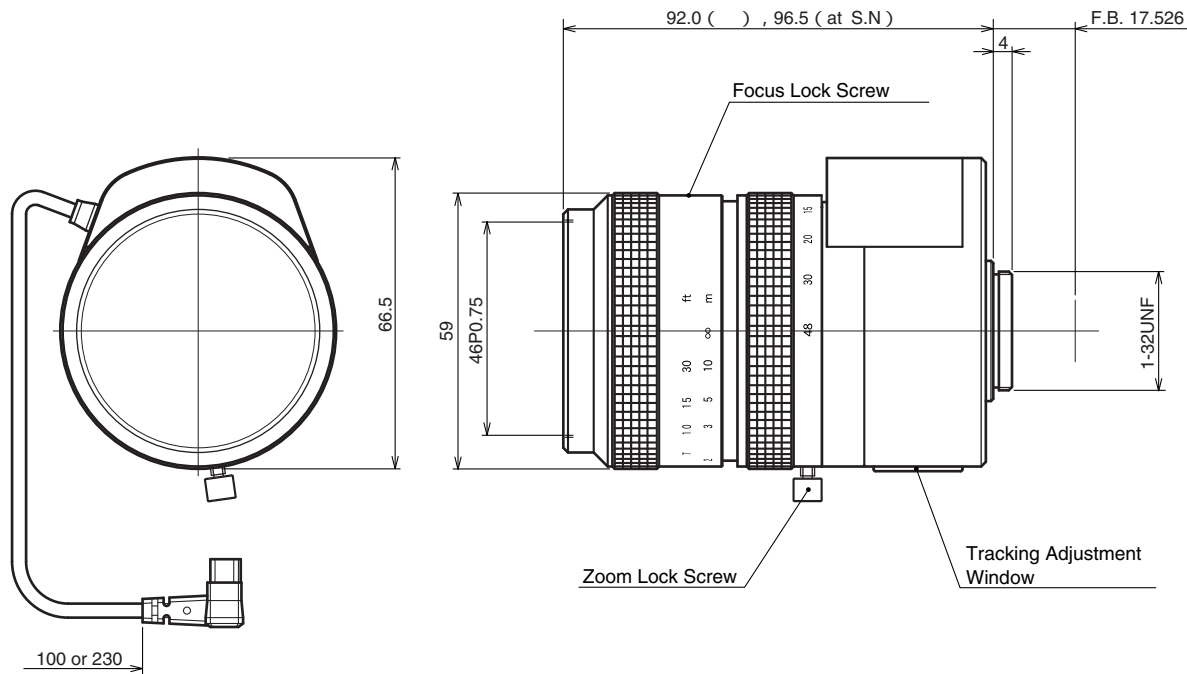
Focal Length : 8 ~ 48mm
 Maximum Relative Aperture : 1:1.0
 Iris : F1.0 ~ Approx .360
 (With ND Spot Filter)
 Zoom Ratio : 6X
 Angle of View : 43.6 × 33.4 deg. at 8mm
 7.7 × 5.7 deg. at 48mm
 Image Size : 6.4 × 4.8mm (8mm)
 Minimum Object Distance : 1.0m (From Front Vertex)
 Close-up photography as far as
 Object Distance 0.5m is possible by
 S.N.(Service Near)function of Focus.
 (Partial eclipse may occur during
 zooming in the S.N. range with using
 1/2" camera.)

Optical Back Focal Distance : 14.56mm (In Air)
 Flange Back : 17.526mm
 Operation : Focus : Manual
 Zoom : Manual
 Iris : IG(Auto Close System)
 Close to Open : Less than 4.0V
 Open to Close : More than 0.1V
 Speed Within 4sec.
 Operating Temperature : -10 ~ +50
 Mount : C-Mount (Adjustable Lens Position)
 Filter Size : 46mm P0.75
 Size : 66.5 × 59 × 92.0mm,
 Weight : Approx 400 g

【COMPOSITION】

- Lens 1
- Lens Cap 1
- Dust Cap 1

【DIMENSIONS】



Unit:mm

【CIRCUIT DIAGRAM】

