

# HV880DCIR-MP

**1.5 Mega Pixel + 10 Day & Night IR**

[SPECIFICATIONS] Extra Low Dispersion Glass Lens

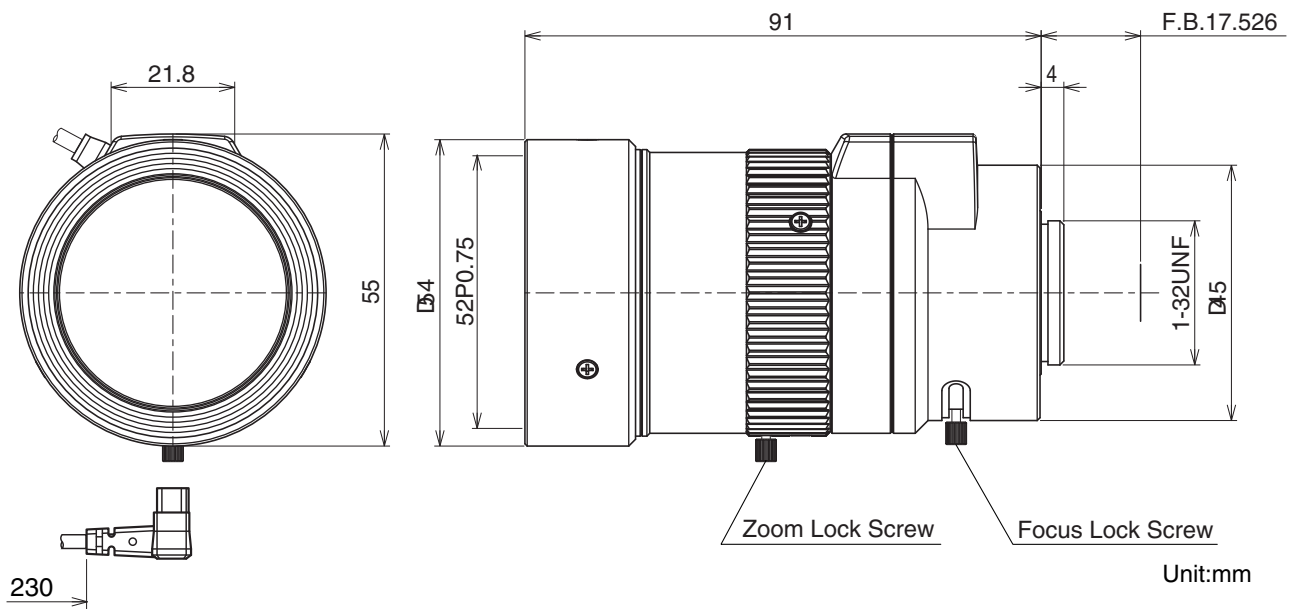
Image Size:  $\frac{1}{2}$   $\frac{1}{3}$   $\frac{1}{4}$

Focal Length :	8.0 - 80mm	Operation :	Focus:	Manual
Maximum Relative Aperture :	1:1.6		Zoom:	Manual
Iris :	F1.6 - Approx. 360 (With ND Spot Filter)		Iris:	IG(Auto Close System) Close to Open : Less than 4V Open to Close : More than 0.1V Speed Within 4sec.
Zoom Ratio :	10X			-10 to +50°C
Angular Field of View :	46.6 X34.3 deg. at 8.0mm 4.7 X 3.6 deg. at 80mm			C-Mount(Adjustable Lens Position)
Image Format :	6.4X4.8mm(D8mm)	Operation Temperature :		52mm P0.75
Minimum Object Distance :	0.1m at 8.0mm(From Front Vertex) 0.7m at 80mm(From Front Vertex)	Mount :		D54X91mm, Approx.200g
Optical Back Focal Distance :	17.07 to 21.42mm(In Air)	Front Thread :		
Flange Back :	17.526mm	Size, Weight :		

[COMPOSITION]

- Lens .....1
- Lens Cap .....1
- Dust Cap .....1

[DIMENSIONS]



[CIRCUIT DIAGRAM]

